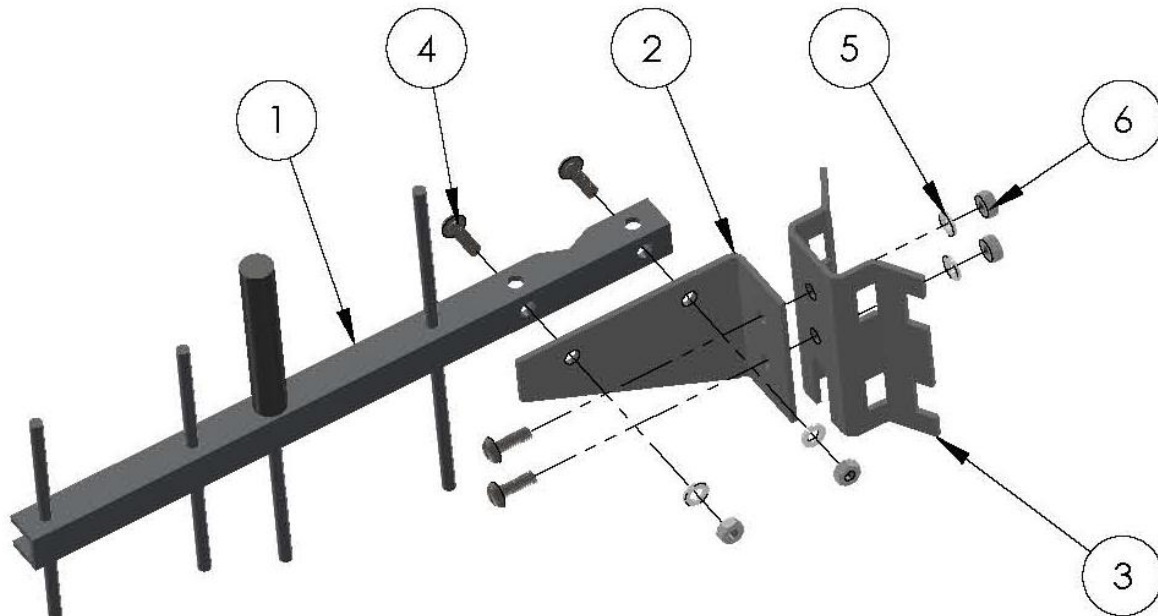
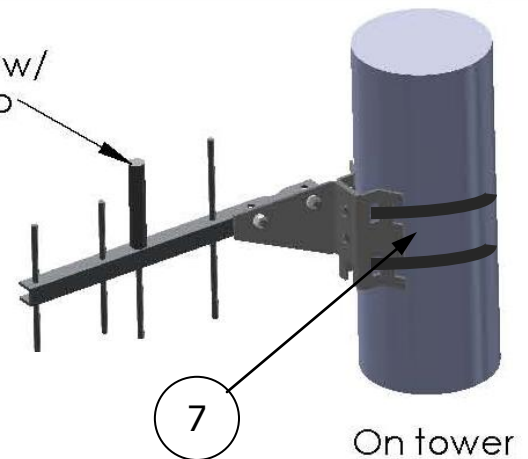


Yagi Antenna Installation Drawing



Orient Antenna w/
gray element up



Item #	Description	Quantity
1	Yagi Antenna	1
2	Yagi Extension Mount Bracket	1
3	Yagi Base Mount Bracket	1
4	1/4" Slotted Stainless Steel Screw	4
5	1/4" Stainless Steel Lock Washer	4
6	1/4" Stainless Steel Hex Nut	4
7	Stainless Steel Hose Clamp	2

- Secure the Extension Mount Bracket to the Yagi Antenna with two 1/4" Screws fastened into two 1/4" Lock Washers and 1/4" Hex Nuts.
- Attach the assembly to the Base Mount Bracket with two 1/4" Screws fastened into two 1/4" Lock Washers and 1/4" Hex Nuts.
- Mount the Yagi Antenna assembly to the tower by feeding two Hose Clamps through the slots of the Base Mount Bracket and tightening them down until the antenna is secure.
- Please Note:
 - Yagi Antennas amplify 800MHz-900MHz frequencies for GSM and CDMA cellular providers. If the provider uses other frequencies, the antenna will not be effective.
 - Yagi Antennas are directional and must be pointed towards the nearest tower. Keep the hose clamps loose until you find the peak signal.