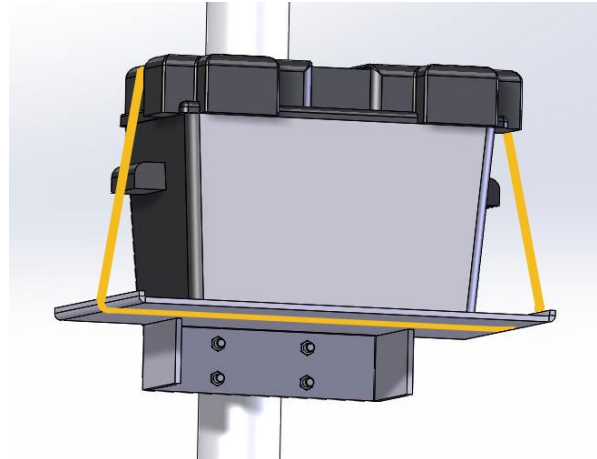
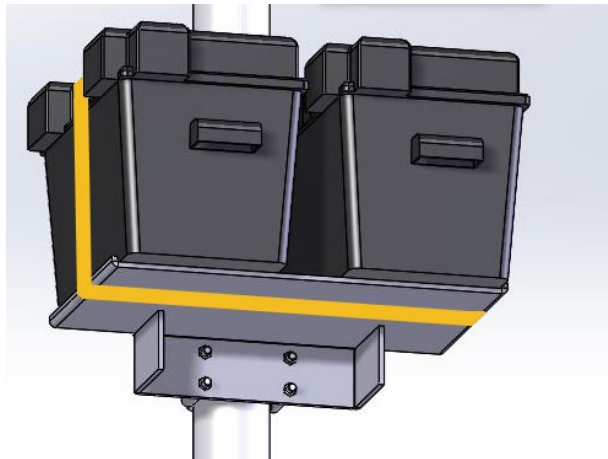




INTRODUCTION

These instructions explain how to use the Tower-Mounted Battery Platform on an NRG Systems 3.5" diameter Solar Tower. The platform is made from a single sheet of 1/4" aluminum, CNC-cut & bent into form.



Parts/BOM

NRG Part Number	Part Description	Part Specification	Quantity
15379	Battery Support Bracket	11" x 19" x 1/4" (thick) aluminum bracket	1
14232	Clamping U-Bolt	Zinc-Plated Steel, 3/8"-16 Thread Size, 3-11/16" ID	2

Companion Battery Kits (Sold separately)

NRG Part Number	Part Description	Part Specification
15730*	Auxiliary Power Supply Battery Kit, 58 Ah	1x 58 Ah battery & 1x Battery Box
14482*	Auxiliary Power Supply Battery Kit, 108 Ah	1x 108 Ah battery & 1x Battery Box
14483*	Auxiliary Power Supply Battery Kit, 216 Ah	2x 108 Ah batteries, 2x Battery Boxes, 1x set of interconnection cables

*These kits utilize Marine Quick Cable Group 27 Battery Box(es)



Tools



*Note: These instructions recommend using **ratchet straps** to secure the battery boxes to the bracket, but they are not included in these kits.*

Assembly & Mounting

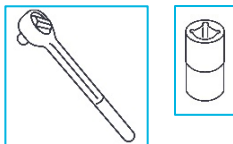
- 1 Place the bracket against the tower tube and feed a 3.625" U-bolt around the tower, through the clamping piece, and through the appropriate holes in the vertical portion of the bracket.

Loosely attach to the tower tube by threading the nuts onto the threaded ends of each U-bolt.

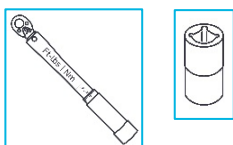


- 2 Move the bracket to the desired location on the tower. Best practice is to mount the bracket as close to the base as possible, while also remaining above the 100-year flood level (if applicable) and in an orientation that keeps the batteries out of direct sunlight.

Tighten with a 9/16" socket & ratchet.



- 3 Tighten the U-bolt nuts to the following specifications: **25 ft-lbs (33.9 Nm)**





Place the empty battery box(es) on top of the mounting plate:

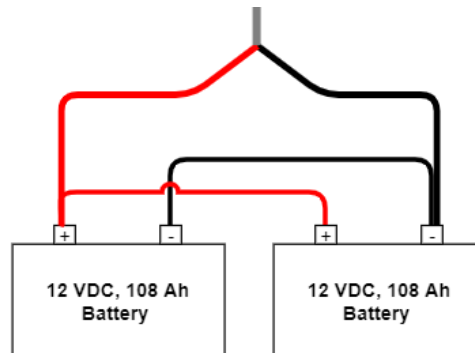
4

1. If using one battery, place it lengthwise on the mounting plate (see example on page 1)
2. If using two batteries, place the boxes side by side widthwise (see example on page 1)

Place the battery(ies) into the boxes but do not secure the lid yet. Use the knockouts in the battery box cover to route the cables through the inlets.

If only using one battery, simply connect the positive and negative leads and run them into the Auxiliary Power Supply.

If using two 108 Ah batteries, wire them as shown below.



Batteries wires in parallel = 12 VDC, 216 Ah capacity

5

Close the lid on the battery box, then verify that all the cable routing is secure, and nothing is pinched.

Repeat this with the other box if present.

With the battery box(es) closed, use a ratchet strap or other method to secure the battery box(es) to the mounting platform.
