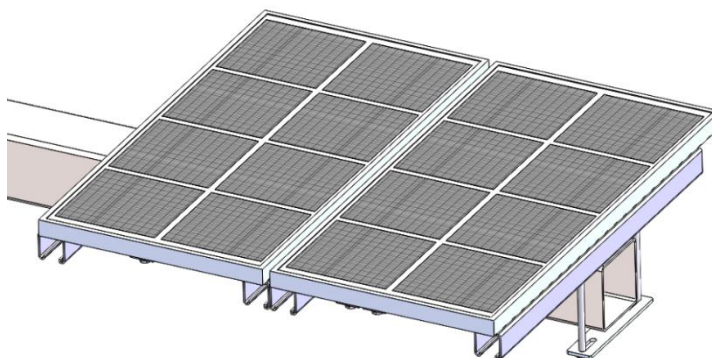




Solar | Square Torque Tube Mount for Soiling Measurement #18195

Introduction

These instructions explain how to mount NRG Systems 35W Soiling Measurement Kit to a square tube bracket.



Parts/BOM

| NRG Part Number | Part Description | Part Specification | Qty | Diagram Key |
|-----------------|----------------------|--------------------------------------------------------|-----|-------------|
| 12095 | Long Bolt Washer | Washer, .375 Inch x .875 OD, SS | 9 | 12095 |
| 1330 | Carriage Bolt Washer | Washer – 1/4, Flat, .281" ID, .625" OD, .050"T, 18-8SS | 9 | |
| 15869 | Locknut | Nut, .25-20, 18-8SS, Serrated Flange Locknut | 9 | |
| 15870 | Carriage Bolts | Carriage Bolt, .25-20. .75in L, 18-8SS | 8 | |
| 16091 | Bottom Plates | Bottom Plate, Square Torque Tube POA, Universal | 4 | |
| 16100 | Long bolts | Bolt, .375-16, SS, 6in L, Full Thread | 8 | |
| 17193 | Rails | Unistrut Channel, 2 ft length | 4 | |
| 18205 | Spring Channel Nut | Strut Channel Nut, Spring, 3/8-16 | 8 | |

Tooling



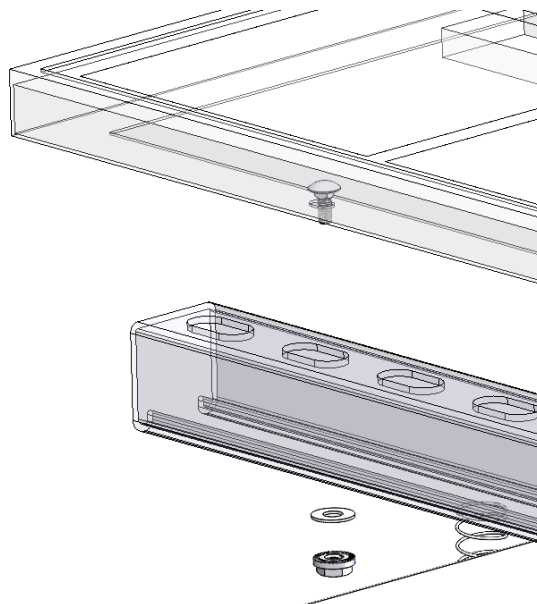


Solar | Square Torque Tube Mount for Soiling Measurement #18195

Procedure

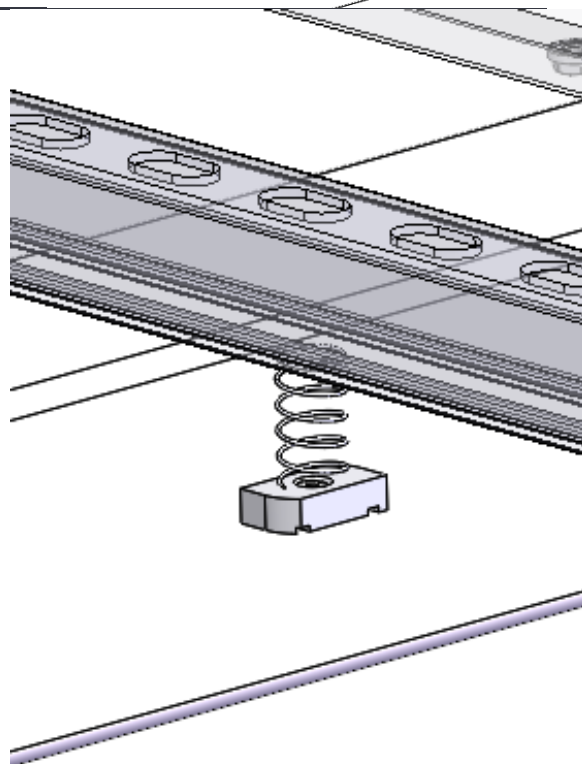
1 Mount the PV panels to the rails.

- Insert the #15870 carriage bolts into the holes on the back of the PV panel frames and through the holes in the rails #17193 as shown below. Use 2 rails per PV panel.
- Add a #1330 washer and secure with a #15869 lock nut.
- Tighten the lock nut with a 19mm socket or an adjustable wrench.



2 Install the spring channel nuts.

- Slide 2 spring channel nuts #18205 into each rail so that the spring is inside the rail.
- Position the spring channel nuts towards the center of each rail so that they are approximately 12 cm apart.

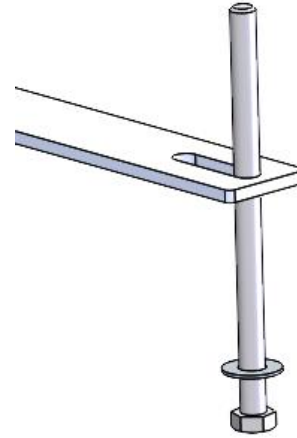




Solar | Square Torque Tube Mount for Soiling Measurement #18195

3 Assemble the bottom plates.

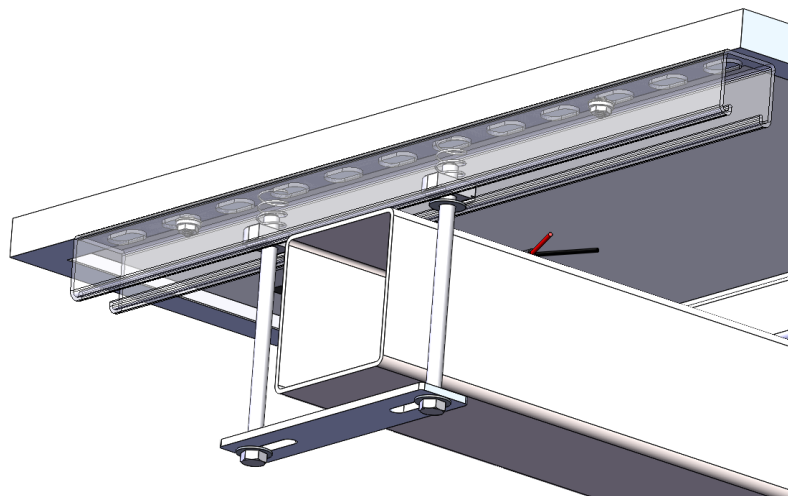
- Put a #12095 washer on each long #16100 bolt.
- Insert a #16100 bolt with washer through each slot in the #16091 bottom plate.



4 Connect the bottom plates to the rails.

- Insert a #16100 bolt with washer into each spring channel nut and tighten just enough so that the bolts are retained.

5 Slide the PV panels with bottom plate assemblies onto the square tube and tighten the #16100 bolts securely.





Solar | Square Torque Tube Mount for Soiling Measurement #18195

6 The completed assembly should look like this:

