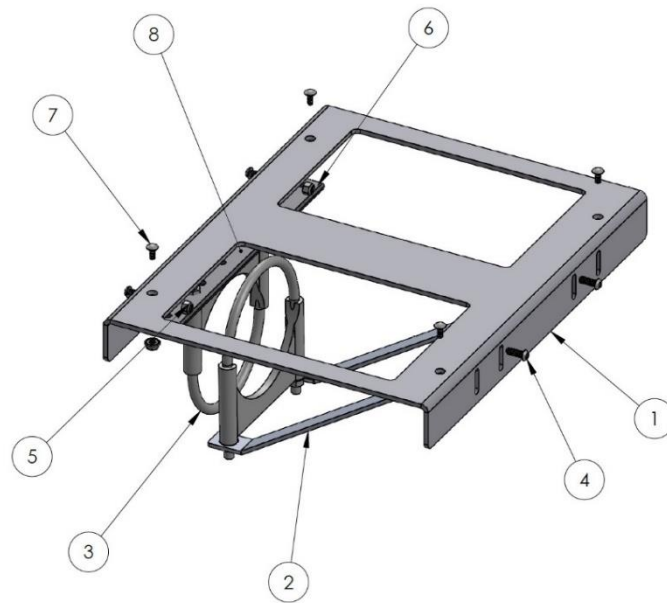




**Introduction**

NRG Systems’ Array Mount for round torque tubes allows two matched 35W panels to be installed on the end of an array. The 35W match panels are sold separately in kit #15152.



**#15868: Parts/BOM**

NRG Part Number	Part Description	Part Specification Notes	Qty	Diagram Key
15666	Soiling Panel Bracket	Aluminum   3/16" thickness	1	1
15695	Support Beams	Aluminum   .16" thickness	2	2
15887	1.5" Angle Bracket	Aluminum   3/16" thickness	1	8
15848	Clamping U-bolt	5" ID, 0.375-16	2	3
15870	Carriage Bolt	1/4-20   3/4" length   18-8 stainless steel	4	7
15869	Flanged Locknut	1/4-20   Serrated flange   18-8 stainless steel	4	6
12022	Buttonhead Screw	1/4-20   3/4" length   18-8 stainless steel	4	4
10406	Nylock Nut	1/4-20   Nylon insert   18-8 stainless steel	4	5

**Tools**





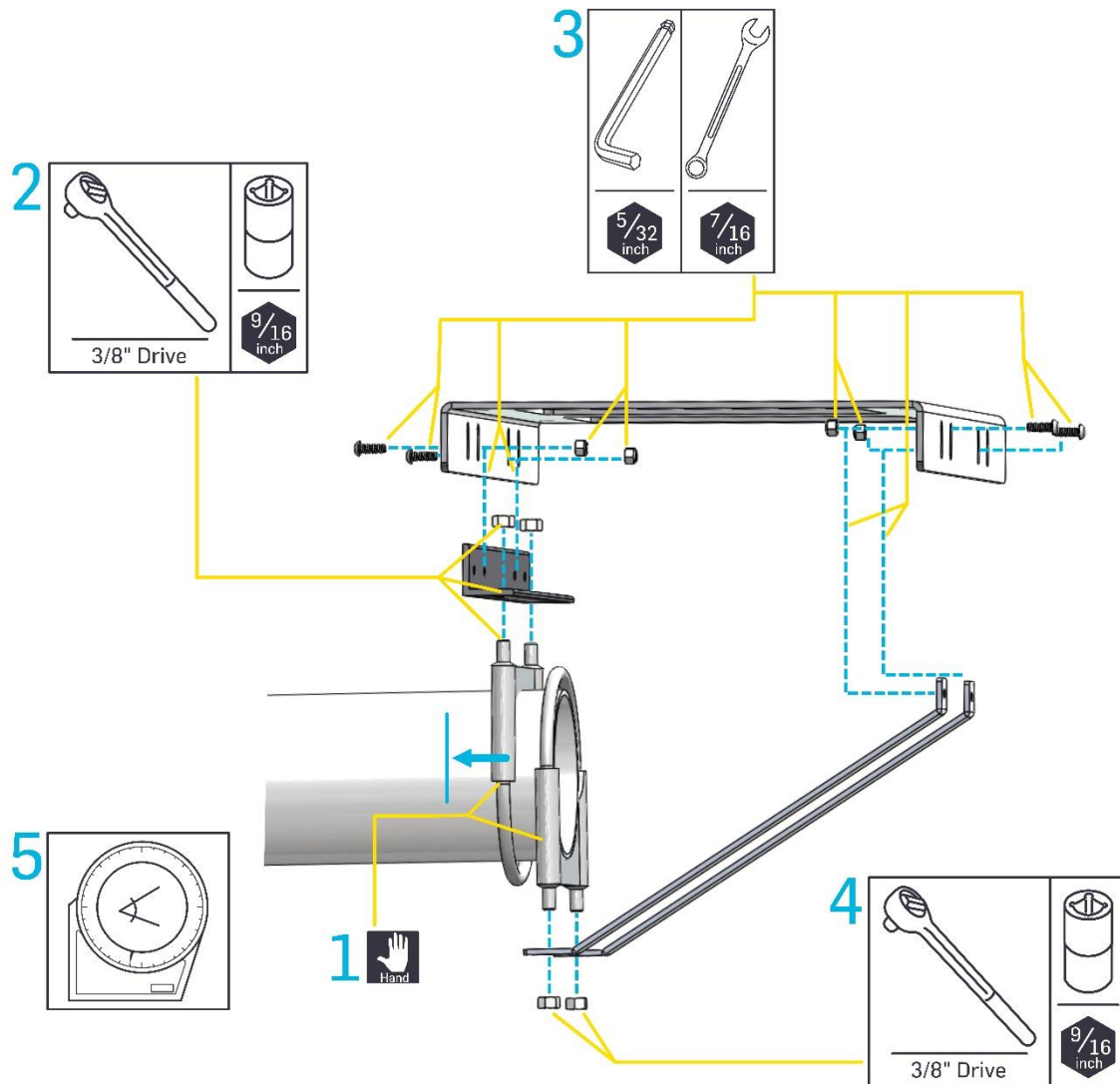
*Apply a small amount of anti-seize to the bolt threads.*

### Assembly

1. Feed U-bolts onto the end of the torque tube. The ends of the inner U-bolt should be perpendicular to the PV panels. The outer U-bolt should be oriented 180 degrees offset.
2. Attach the Angle Bracket (#15887) to the inner U-bolt. Secure using the U-bolt nuts.
3. Attach the Soiling Panel Bracket (#15666) to the Angle Bracket with buttonhead screws (#12022) & nylock nuts (#10406). Attach Support Beams (#15695) to the opposite side with the same combination of hardware.
4. Connect the other end of the Support Beams to the outer U-bolt & secure with the nuts.



- Set the angle of the Soiling Panel Bracket to match the PV array. Re-secure all hardware.



### Attaching Soiling Measurement Kit Matched Panels #15152

35W PV panels from kit #15152 are attached to bracket #15666 using the included stainless carriage bolts (#15870) & flange nuts (#15869).