

NRG 40H ANEMOMETER

TECHNICAL PRODUCT SHEET



Overview

The 40H is one of the first anemometers designed exclusively for the wind industry, and offers field-proven measurement accuracy at an economical price.

Specifications

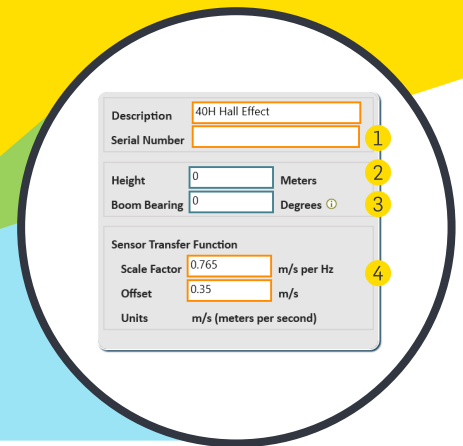
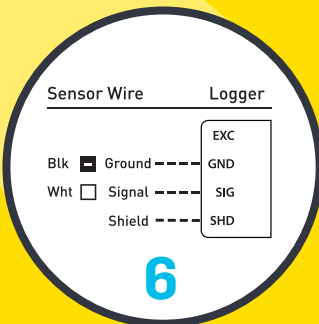
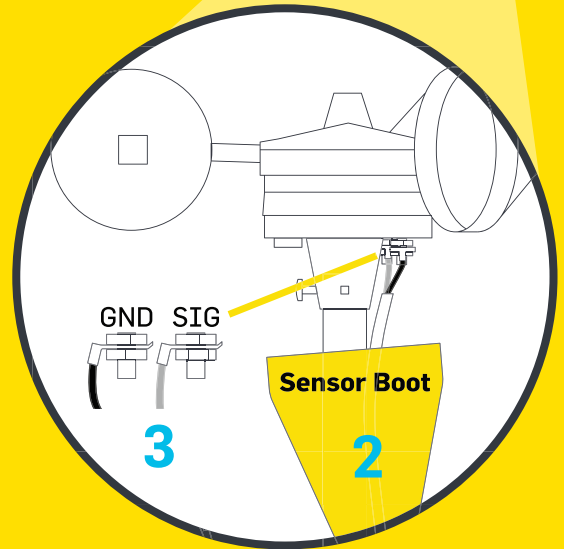
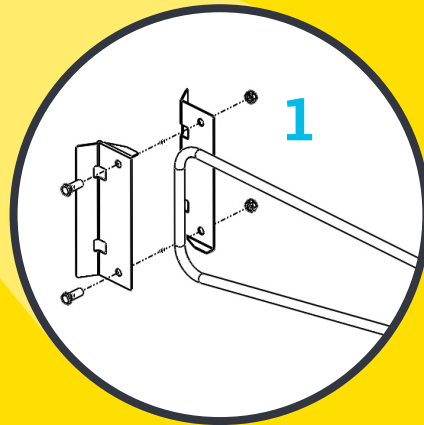
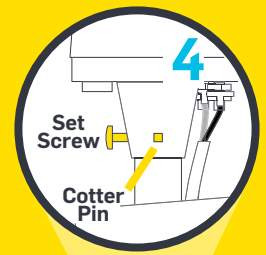
Measurement Range	1 – 96 m/s (2.2 – 215 mph)
Signal Type	Square wave signal from open collector transistor, External pull-up resistor required, frequency proportional to wind speed
Transfer Function	Default Slope: 0.765 m/s per Hz Default Offset: 0.35 m/s
Output Signal	0 Hz to 125 Hz
Supply Voltage	4 V to 24 V DC
Supply Current	7.5 mA maximum
Sensor Cable	2 conductor (2C), 20 AWG, Shielded
Mounting	13mm (0.5") diameter mast

Tools Required

- #2 Phillips Screwdriver
- 1/4" Nut Driver
- Electrical Tape
- Small NRG Screw Driver
- 9/16" Wrench
- 5/16" Nut Driver

40H Anemometer Installation Process

1. Install the 1.53m mounting boom according to the diagram. Use 9/16" wrench and socket to secure brackets to boom. Feed hose clamps through each bracket hole. Use 5/16" nut driver bit to secure boom to tower.
2. Place the sensor boot on the end of the mounting boom and run the cable through it.
3. Wire the two conductor (2C) sensor cable to the wind vane terminals. Use 1/4" nut driver to tighten nuts.
4. Secure the sensor to the boom by inserting the cotter pin and tightening the set screw with a Phillips screw driver.
5. Wrap and/or secure the cable along the boom and down the tower to the data logger.
6. Wire the sensor cable into the data logger wiring panel.
7. Program SymphoniePRO Logger.



7



SymphoniePRO Logger Programming

Use the SymphoniePRO Desktop Application to program the sensor settings into the data logger:

1. Enter serial number
2. Enter height of anemometer cups
3. Enter direction the boom is pointing (Boom Bearing) in degrees
4. Enter the unique Scale Factor and Offset if the sensor has been calibrated in a wind tunnel.