

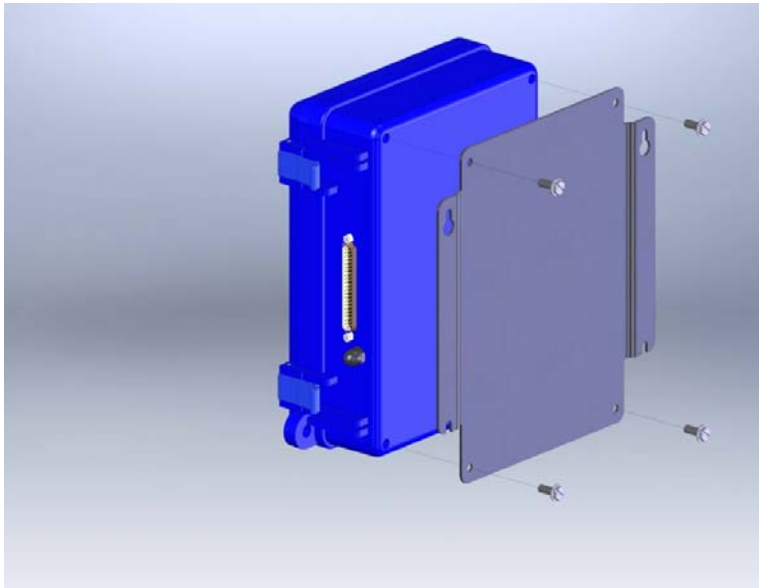
Symphonie Shelter Box | FRP, Tubular or Lattice Tower

Introduction

This Symphonie Shelter Box is made from fiberglass reinforced polyester making it both non-corrosive and strong to ensure long-term survival in the elements, including protecting the logger from falling ice. The Symphonie Shelter Box includes a custom mounting hardware for easy installation of Renewable NRG Systems Symphonie series data loggers on any tower type, all of which are described in this instruction sheet.

Instrumentation Mounting Using Logger Mounting Bracket

The logger mounting bracket (item #8404) connects to the back of the iPack (or to the back of the data logger in a stand-alone configuration) and allows the assembled logger and iPack to be easily installed in or removed from the shelter box using the keyed slots.

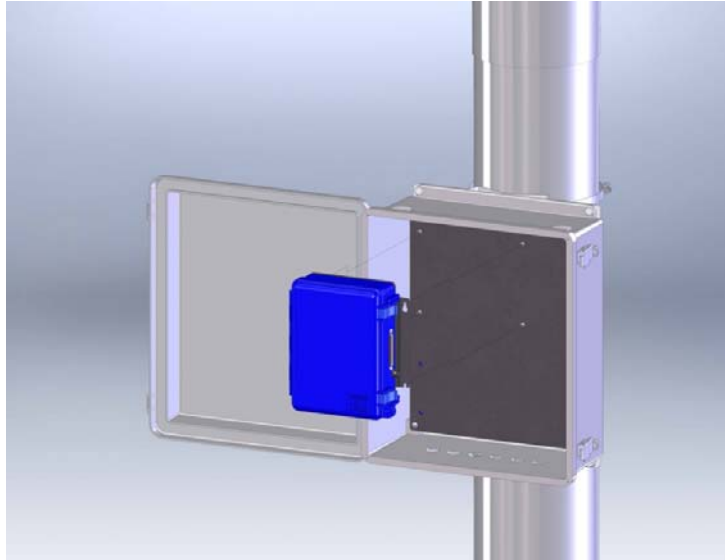


Shelter Box Mounting

The shelter box should be mounted in a location that is easy to access and at a height above maximum annual snow accumulation. For tilt-up towers, you must also consider its position when the tower is tilted down, and when the gin pole is in use. It is recommended that you do not install the instrumentation in the shelter box until the very end of the installation process.

Installation on Tubular Towers (Kit #7401)

Thread the large (size 164) band clamps through the outermost slots of the bracket on the back of the shelter box. Wrap the band clamps around the tower and secure with a 5/16" hex nut driver.



Installation on Lattice Towers (Kit #7400)

Thread the two band clamps (size 36) through the innermost slots of the bracket on the back of the shelter box. Wrap hose clamps around tower and tighten the band clamps with a 5/16" hex nut driver.

