



Introduction

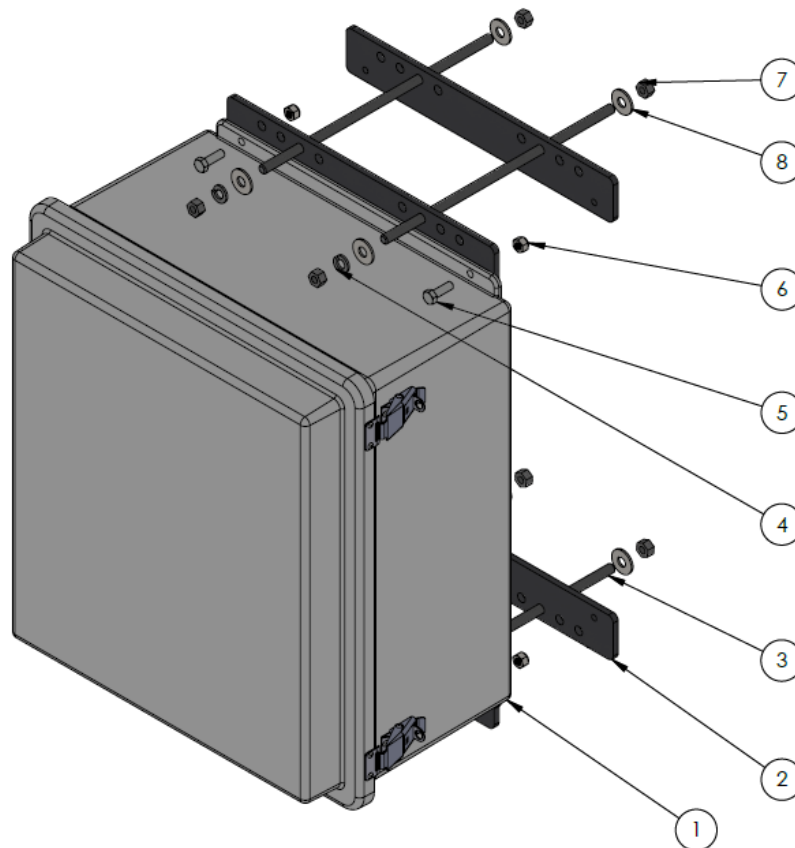
These instructions explain how to mount an NRG shelter box to a pile or other rigid structure with the Universal Shelter box bracket.

The bracket will work on vertical structures with a diameter or width of 4-10 inches.

Parts/BOM

NRG Part Number	Part Description	Part Specification	Quantity	Diagram Key
10462	Fiberglass Shelter Box	18" x 16"	1	1
15061	Universal Bracket		4	2
15071	Threaded Rod	3/8-16 Galvanized	4	3
15042	Lock Washer	3/8" ID Galvanized	4	4
15147	Hex Head Bolt	5/16-18 thread 1" length Zinc-plated	4	5
4758	Nylock Nut	5/16-18 thread	4	6
1572	Nut	3/8-16 thread Galvanized	8	7
2814	Washer	7/16" ID Galvanized	8	8

Exploded Diagram





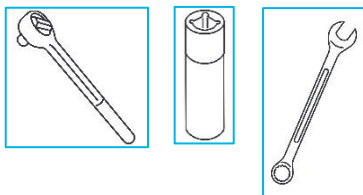
Tools



Procedure

Use the exploded diagram on the first page.

- 1 Attach brackets (#2) to the top and bottom of the shelter box with 4 x 5/16-18 Zinc Plated bolts (#5) and 4 x Nyloc nuts (#6).



- 2 Place the threaded rods (#3) through the bracket and secure with a flat washer (#8), lock washer (#4) and nut (#7) to affix to the bracket.



- 3 Hold the shelter box up to the pile and attach the back bracket (#2), flat washer (#8) and nut (#7) to secure the shelter box on the pile loosely.



- 4 Adjust the shelter box to the desired height, then tighten all hardware to secure the shelter box.

