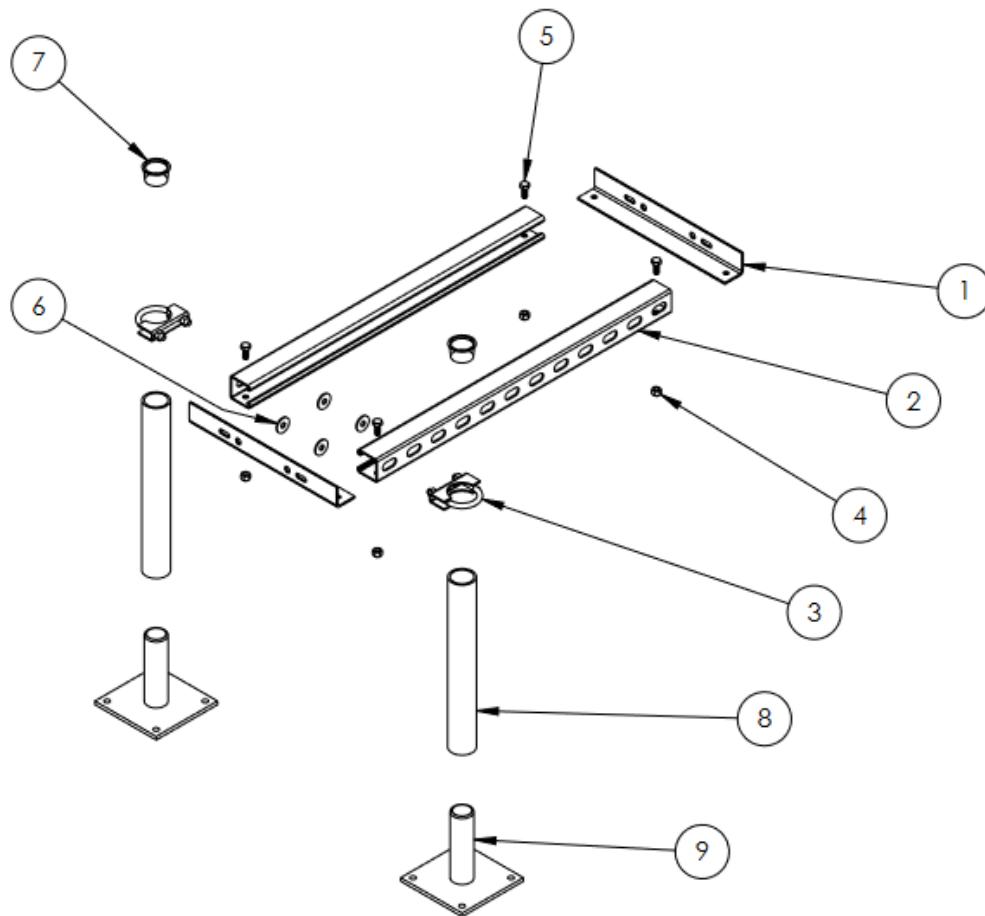




**Introduction**

The #18418 SRA battery mount is a raised platform to store additional battery power for a solar resource assessment tower. The platform is designed to hold one to two weather-proof battery boxes (not included) and attaches to a 3.5" tower with a U-bolt clamp (not included.)



**Part List**

Key ID	Description	Item Number	Quantity
1	Battery Mount Angle Bracket	18422	2
2	2-ft Aluminum Unistrut channel	17193	2
3	Clamping U-bolt and Clamp, 1.75 ID, .3124 thread	14223	2
4	5/16-18 - Hex nut with nylon insert	4758	6

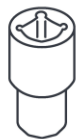


5	Hex bolt - 5/16-18 x 3/4"	7004	6
6	5/16 washer	18435	4
7	Pipe cap	14391	2
8	1-ft Schedule 40 aluminum Pipe	18420	2
9	Pipe foot	18465	2
10	Hex screw - #8 x 3/8	1123	4

**Tool List**



**Socket  
Wrench**



**5/16  
Socket**



**5/16 wrench**



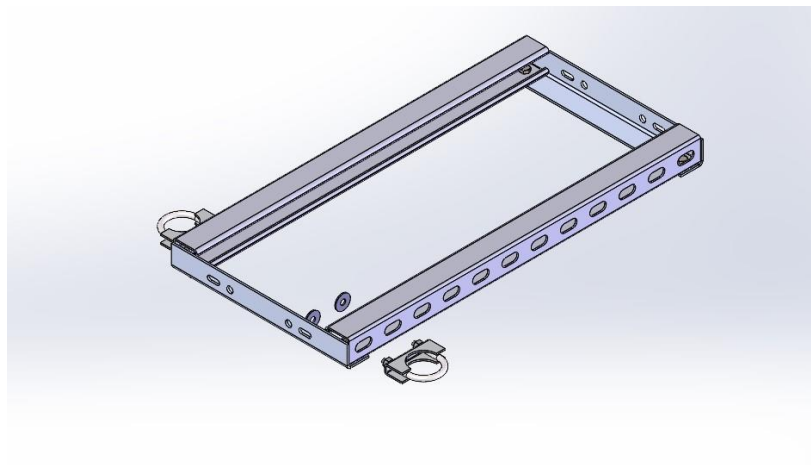
**Loctite**



**Level**

**Assembly**

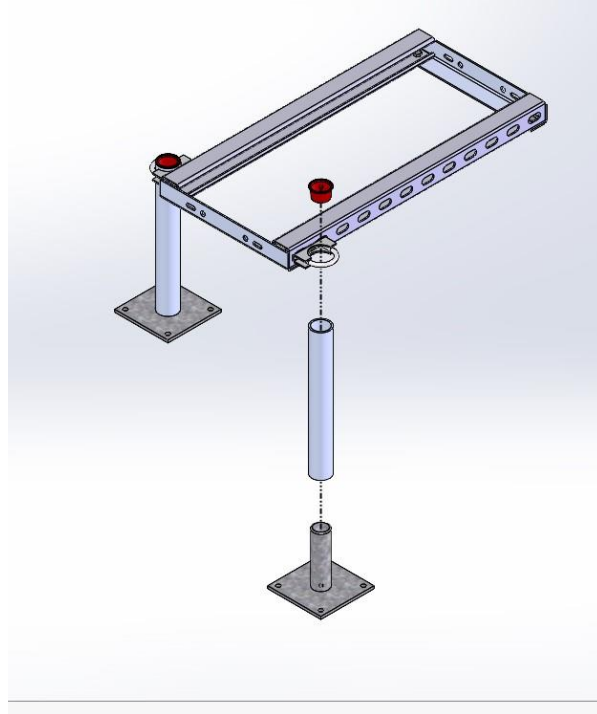
- Create a frame from the #17193 Unistrut channels and #18422 angled brackets by putting #4758 bolts through the pre-cut holes in each corner and fastening with #7004 nuts.
- At one end of the frame, attach a #14223 U-bolt and clamp to Unistrut channel on either side, leaving the clamps loose for now.



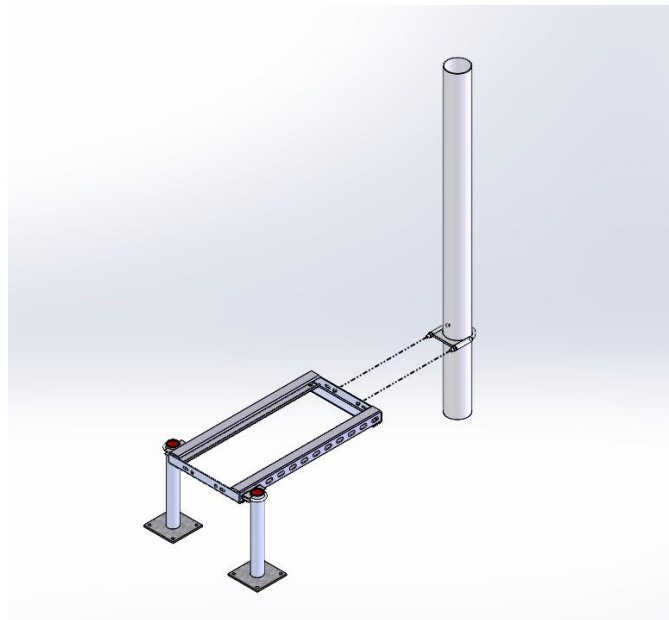


## Solar | #18418 SRA Battery Mount

- Drop the #18420 pipe onto the #18465 pipe foot.
- Mount the frame to the two pipe assemblies by sliding the two U-bolt clamps over the pipes. Tighten the u bolt clamps so they hold in place, leaving loose enough for further adjustment. Place the pipe covers over the top of each pipe.



- Position the opposite end of the frame to the SRA tower. Attach frame to SRA tower with a U-bolt clamp sized for the diameter of the tower (usually 3.5", not included.) Leave loose until the frame is confirmed to be level.





## Solar | #18418 SRA Battery Mount

- Test frame for level, adjust U-bolt positioning as necessary. When frame is leveled, tighten all three U-bolt clamps.
- Optionally, drive #1123 hex screws through the bottom of each battery box (not included) into the top of the Unistrut channels to secure them to the platform.

