

NRG 200M

WIND DIRECTION VANE

NRG Systems' 200M Wind Direction Vane brings significant upgrades to the proven design of our 200P Wind Direction Vane. Made from the same high-quality, UV-stabilized materials as the 200P, the 200M boasts 360° continuous measurement capability, lowering measurement uncertainty. Improvements to the 200M's sensing element also lower measurement uncertainty by improving sensor accuracy. Users who switch to the 200M Wind Direction Vane can enjoy high-end performance at an economical price.

Key Benefits:

- Same vane and body design as 200P ensures seamless transition to 200M
- Field-tested materials for long-lasting durability
- New magnetic encoder-based signal generator means accurate data are available in all wind directions
- Improved mounting precision lowers measurement uncertainty
- Factory calibration certificates with sensor-specific scale and offset values reduce uncertainty caused by sensor-to-sensor variability



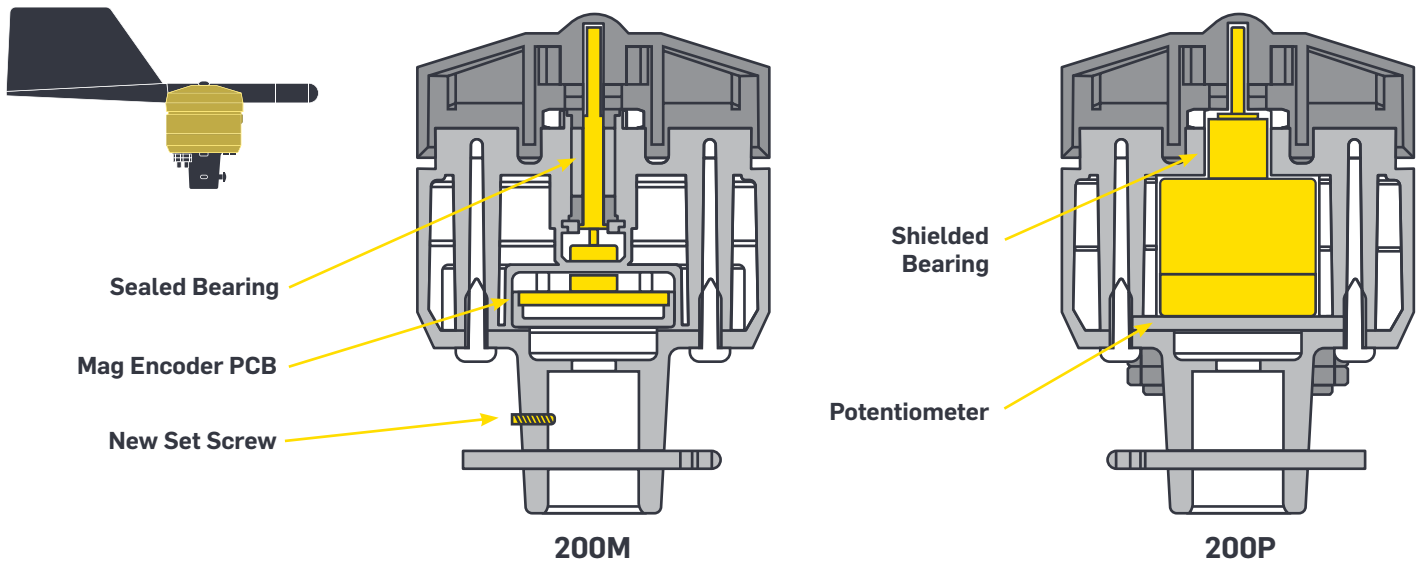
NRGSystems®

SPECIFICATIONS:

The NRG 200M Wind Direction Vane was designed to be a drop-in replacement for the NRG 200P Wind Direction Vane. Accordingly, most 200P characteristics have been maintained in the 200M. This chart summarizes the key differences between the two sensors. Please visit our website for the full set of sensor specifications.

Specification	NRG 200M Wind Direction Vane	NRG 200P Wind Direction Vane
Sensor Type	Magnetic coupling-based wind direction vane with active electronics	Potentiometer-based wind direction vane
Sensor Uncertainty	Expanded Uncertainty (k=2) 95% Confidence: <ul style="list-style-type: none"> • $\pm 2.5^\circ$ (359.1° to 0.9°) • $\pm 1.6^\circ$ ($>0.9^\circ$ to $<359.1^\circ$) 	Expanded Uncertainty (k=2) 95% Confidence: <ul style="list-style-type: none"> • Dead Band (356° to 4°) • $\pm 4.3^\circ$ ($>4^\circ$ to $<356^\circ$)
Dead Band	0° Dead Band	8° Maximum, 4° Typical
Output Signal Range	10 mV to 2.5 V	0V to Excitation Voltage (excluding the dead band)
Supply Voltage	5 to 15 VDC	1 to 15 VDC
Supply Current	1.5 mA with constant excitation (e.g., on SymphoniePLUS3 logger) <500 uAmps with pulsed excitation (e.g., on SymphoniePRO logger)	250 uA to 1.5 mA (when supplied by 1 V to 15 VDC)

200M DESIGN VS. 200P DESIGN:



For more information:

NRG Sales
 +1 802.482.2255
 sales@nrgsystems.com
 nrgsystems.com
 ISO 9001: 2015 Certified
 ISO 14001: 2015 Self-Certified